

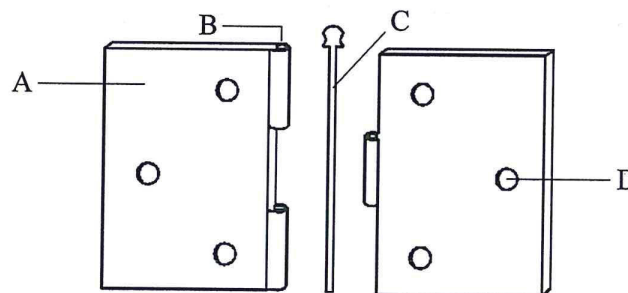
### 3.16 WOODWORK (444)

#### 3.16.1 Woodwork Paper 1 (444/1)

#### SECTION A (40 marks)

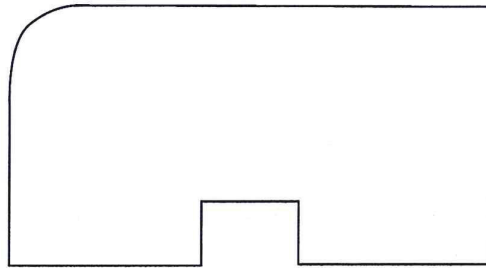
Answer *all* the questions in this section in the spaces provided.

1. (a) List **two** courses offered in vocational institutions that a student studying woodwork can pursue after completing secondary school education. (1 mark)
- (b) Explain the following principles of design: (2 marks)
  - (i) Unity .....
  - (ii) Variety .....
2. (a) State **two** uses of a vernier caliper. (2 marks)
- (b) State **two** disadvantages of large scale businesses. (2 marks)
3. (a) Give **three** advantages of oil stones over water stones. (3 marks)
- (b) Explain the term “grading” as applied in timber. (2 marks)
4. (a) State the use of a coping saw. (1 mark)
- (b) State **two** advantages of using a coping saw. (2 marks)
5. Sketch and label a sliding bevel. (4 marks)
6. (a) List **four** tools used in veneering. (2 marks)
- (b) State **two** disadvantages of natural seasoning. (2 marks)
7. (a) List **four** types of natural glue used in woodwork. (2 marks)
- (b) **Figure 1** shows an exploded view of a butt hinge.



**Figure 1**

- Name the parts labelled A, B, C and D. (2 marks)
8. State **four** reasons for applying finish on a wood product. (4 marks)
9. Use sketches to show the difference between a feather joint and a dowelled joint. (4 marks)
10. **Figure 2** shows a template drawn to a scale of 1:2.



**Figure 2**

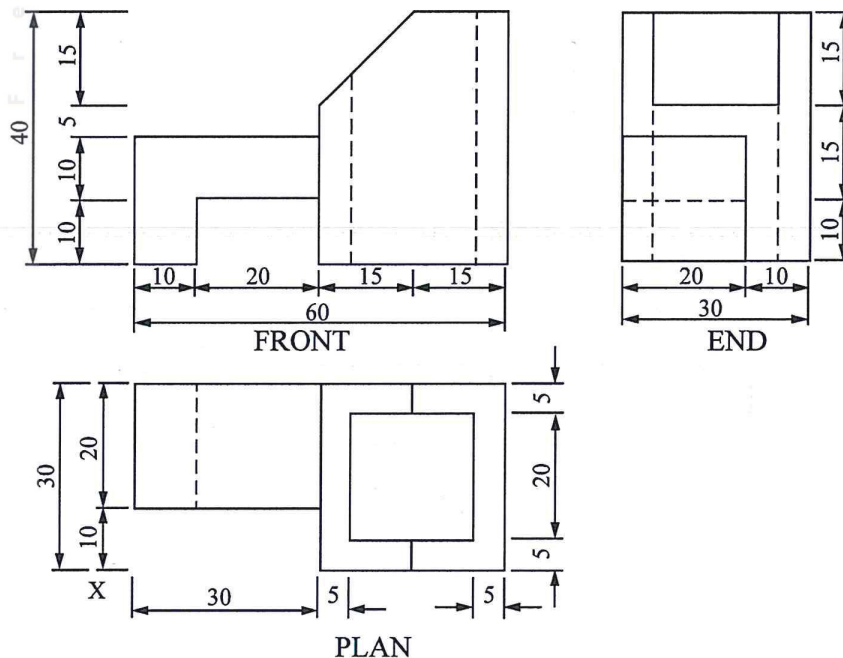
Dimension the template fully.

(5 marks)

**SECTION B (60 marks)**

*Answer question 11 on the A3 paper and any other three questions from this section in the spaces provided. Candidates are advised not to spend more than 25 minutes on question 11.*

11. **Figure 3** shows three views of a block drawn in first angle projection.

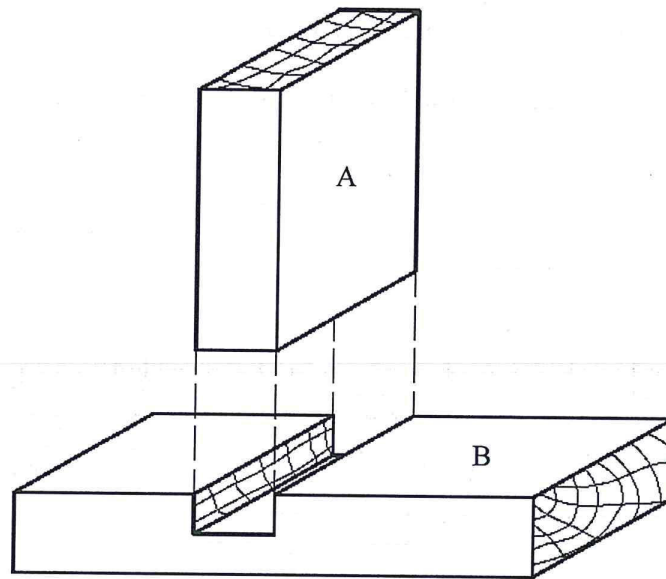


**Figure 3**

To a scale of 2:1, draw the block in isometric projection taking X as the lowest point.

(15 marks)

12. (a) List **two** types of spokeshave and state **one** use of each. (3 marks)
- (b) List **four** types of saw jigs giving **one** use of each. (6 marks)
- (c) Distinguish between a rip saw and cross cut saw. (6 marks)
13. (a) State **two** advantages of bleaching wood. (2 marks)
- (b) Outline the procedure of administering first aid treatment to a minor burn on the palm. (5 marks)
- (c) List and explain **four** processes carried out during maintenance of hand saws. (8 marks)
14. (a) Outline the procedure of preparing a timber surface ready to receive varnish. (7 marks)
- (b) With the aid of sketches, explain the difference between mortise chisel and paring chisel, stating **one** use of each. (8 marks)
15. (a) Describe the following types of manufactured boards: (6 marks)
- (i) Lamin board.
- (ii) Chipboard.
- (b) **Figure 4** shows an exploded view of a housing joint.



**Figure 4**

Outline the procedure of marking and making the joint using hand tools. (9 marks)