

1. Which one of the following is two million, sixteen thousand, four hundred and thirty eight in symbols?

- A. 2160438
- B. 2016438
- C. 2001638
- D. 2016448

2. What is the total value of digit 9 in the product of 0.35 and 1.7?

- A. 0.9
- B. 90
- C. 0.09
- D. 900

3. What is the value of: $\frac{1}{4} + \frac{1}{6} \div \frac{1}{2} - \frac{1}{8}$?

- A. $\frac{23}{24}$
- B. $\frac{11}{24}$
- C. $\frac{17}{24}$
- D. $1\frac{17}{24}$

4. The price of a bull is Sh. 72 000. If the price of the bull is increased by 10%, what is the new price of the bull?

- A. Sh. 7200
- B. Sh. 65450
- C. Sh. 79200
- D. Sh. 64800

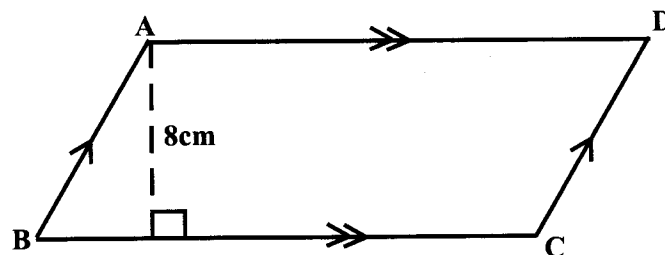
5. Which one of the following numbers is divisible by 11?

- A. 33506
- B. 6235

C. 28511

D. 54112

6. The area of the figure below is 120cm^2 .



What is the length of line BC?

- A. 7cm
- B. 12cm
- C. 15cm
- D. 23cm

7. What is the sum of the next two number in the pattern below:

6, 11, 18, 27, _____?

- A. 29
- B. 52
- C. 89
- D. 92

8. Kemboi covered a distance of 200m in 10 seconds. What was his speed in km/hr?

- A. 72 km/hr
- B. 20 km/hr
- C. 16 km/hr
- D. 200 km/hr

9. The diagonal of a rectangle is 30cm long. What is the area of the rectangle if one of the sides is 24cm?

C. 1.5cm

D. 2.9cm

24. What is the value of:

$(3 + m) + (3b + c) + 3(2n - 3c)$ given that

$b = 1, c = 4, n = 5$ and $m = 4$

A. 4

B. 8

C. 10

D. 27

25. Munga deposited Sh. 130 000 in Family Bank which charged simple interest at the rate of 20% pa. He withdrew all his money after 9 months. How much did he withdraw?

A. Sh. 19 500

B. Sh. 149 500

C. Sh. 156 000

D. Sh. 195 000

26. What is the square root of $\sqrt{0.0081}$?

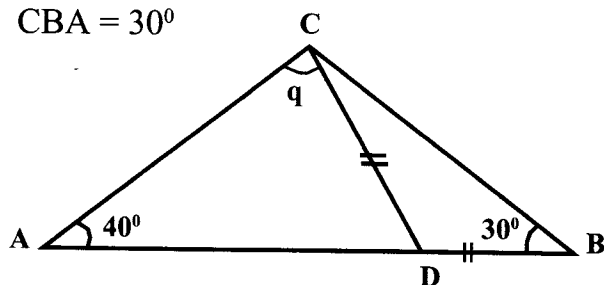
A. 0.9

B. 0.09

C. 0.3

D. 0.0089

27. In the figure below ADB is a straight line. Line DC = DB. Angle CAB = 40° and angle CBA = 30°



What is the value of the angle marked q ?

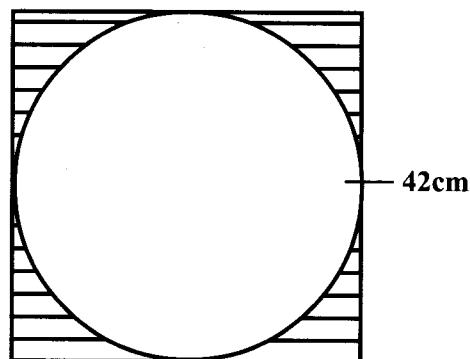
A. 80°

B. 70°

C. 40°

D. 30°

28. What is the area of the shaded part in the figure below? (Take $\pi = \frac{22}{7}$)



A. 1764cm^2

B. 1386cm^2

C. 3150cm^2

D. 378cm^2

29. Divide 6 km 400m by 5

A. 1 km 405m

B. 1 km 280m

C. 1 km 100m

D. 1 km 80m

30. Joyce bought a T.V set for Sh. 7200 after getting a discount of 10%. What was the marked price of the T.V set?

A. Sh. 8000

B. Sh. 4680

C. Sh. 720

D. Sh. 7920

31. Remove the brackets and simplify:

$$\frac{1}{5}(80m - 40) + \frac{2}{3}(18m - 30)$$

- A. $4m + 28$
- B. $28m + 32$
- C. $28m - 28$
- D. $32m - 28$

32. A road whose real length is 8 km is represented on a map by 2cm. What is the scale used?

- A. 1:800 000
- B. 1:400 000
- C. 1.8000
- D. 1:4000

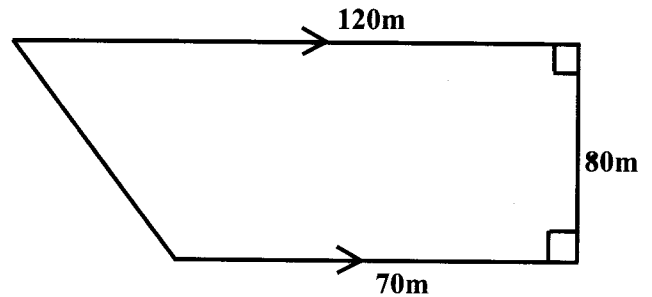
33. A fruit vendor bought 600 mangoes and sold them in piles of 5 at Sh. 50 each. How much profit did he get if he had bought them for Sh. 5000?

- A. Sh. 1000
- B. Sh. 1200
- C. Sh. 6000
- D. Sh. 145000

34. A pupil scored the following marks in five subjects: 60%, 68%, 72%, 62% and 74%. What was his mean mark?

- A. 336%
- B. 74%
- C. 68%
- D. 67.2%

35. What is the area of the figure below in hectares?



- A. 7600
- B. 7.6
- C. 0.76
- D. 0.076

36. The pie chart below shows how Osuji spent his day.



How long did he spend on other activities?

- A. 10 hours
- B. 9 hours
- C. 8 hours
- D. 6 hours

37. Atieno bought the following items from a shop:

3 kg of sugar @ Sh. 120

500g packet of tea leaves @ Sh. 99

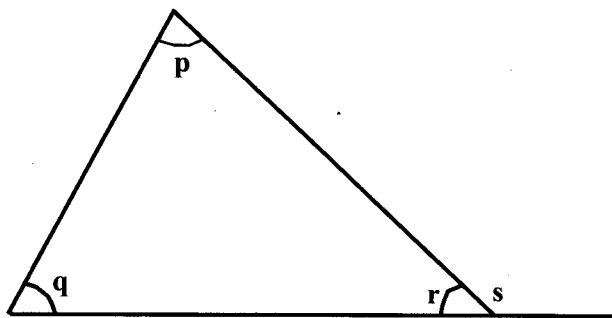
3 loaves of bread at Sh. 95 each

- A. 16cm
- B. 18cm
- C. 20cm
- D. 24cm

10. What is the surface area of a closed cuboid which is 12m long, 8m wide and 6m high?

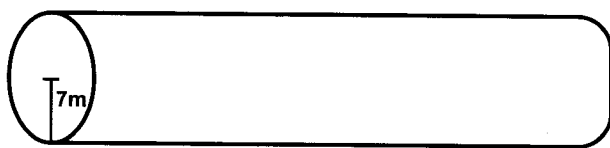
- A. 216cm^2
- B. 576cm^2
- C. 432cm^2
- D. 398cm^2

11. Which of the following statements is NOT true from the figure below?



- A. $p + q + r = 180^\circ$
- B. $p + r = s$
- C. $r + s = 180^\circ$
- D. $s - p = q$

12. The volume of the cylindrical tin below is 3080m^3



What is its height in metres?

(Take $\pi = \frac{22}{7}$)

- A. 20m
- B. 14m

- C. 154m
- D. 44m

13. Simplify the inequality below

$$3q > 4q - 8$$

- A. $8 > q$
- B. $q = 8$
- C. $q > 8$
- D. $q > \frac{7}{8}$

14. The number of boys at Ojwando Primary School is 624. The number of girls is 64 more than the number of boys. How many girls are there in the school on a day when 26 girls were absent?

- A. 534
- B. 662
- C. 598
- D. 560

15. Which of the following sets of measurements can be used to construct a right-angled triangle?

- A. 10cm, 14cm, 24cm
- B. 12cm, 18cm, 26cm
- C. 18cm, 24cm, 30cm
- D. 14cm, 16cm, 20cm

16. Jane bought a mobile phone at Sh. 25000 and later sold it for Sh. 20 000. What was her percentage loss?

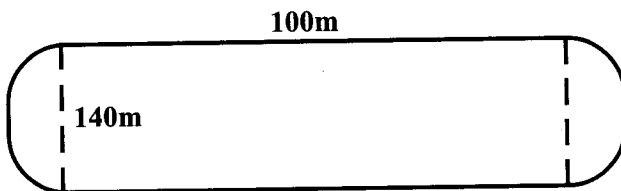
- A. 10%
- B. 15%

- C. 20%
- D. 25%

17. Increase Sh. 38000 by 65%

- A. Sh. 62700
- B. Sh. 31200
- C. Sh. 54500
- D. Sh. 73800

18. Kipkemei ran round the track below four times



What distance did he cover in km?

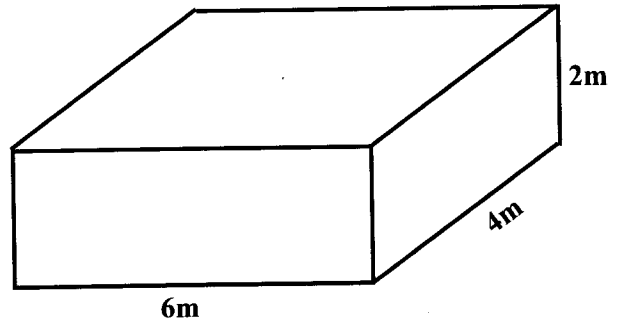
(Take $\pi = \frac{22}{7}$)

- A. 0.64
- B. 640
- C. 2.56
- D. 25.6

19. Six men working at the same rate can weed a garden in 4 days. How many more days will 2 men take to complete the same work?

- A. 12
- B. 10
- C. 8
- D. 6

20. What is the capacity of the rectangular water tank below in litres?



- A. 48 000
- B. 24 000
- C. 0.048
- D. 0.024

21. Which of the following sets of numbers are increased by 1000?

- A. 4272, 7372, 7472
- B. 4820, 5820, 6820
- C. 3870, 5870, 6870
- D. 7841, 8851, 9861

22. Lydia divided her piece of land between her two daughters, Sharon and Nerine in the ratio of 2:3. If Nerine got 3 hectares more than Sharon, what was the size of Lydia's land?

- A. 9 ha
- B. 6 ha
- C. 10 ha
- D. 15 ha

23. Construct an equilateral triangle of sides 5cm. Draw a circle that touches the vertices A, B and C. What is the diameter of the circle?

- A. 5.8cm
- B. 6.3cm

What was her balance if she paid with 5-
two hundred shilling notes?

- A. Sh. 744
- B. Sh. 544
- C. Sh. 446
- D. Sh. 256

38. What is the value of x in:

$$x + \frac{1}{3}(x + 3x) = 42?$$

- A. $8\frac{2}{5}$
- B. $10\frac{1}{2}$
- C. 18
- D. 21

39. What is the difference between the LCM
of 8 and 12 and the HCF of 36 and 54?

- A. 104
- B. 84
- C. 14
- D. 6

40. What is the value of: $14112 \div 14$?

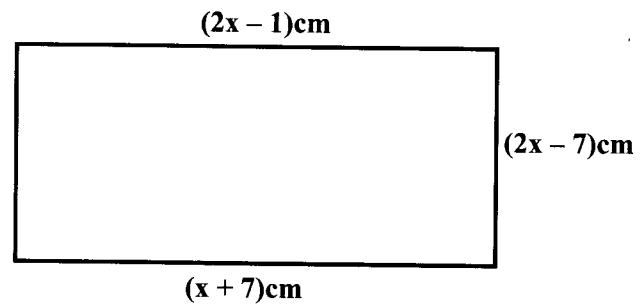
- A. 18
- B. 108
- C. 1008
- D. 1080

41. Poles are fixed between two market
centres, a distance of 20.25 km. If the
poles are placed at intervals of 50m apart,
how many poles were used?

- A. 450
- B. 406

- C. 405
- D. 400

42. What is the area of figure below?



- A. 15cm^2
- B. 48cm^2
- C. 128cm^2
- D. 135cm^2

43. What is the value of

$$\frac{8.4 - 8.4 \times 0.5 - 0.6}{0.09} ?$$

- A. 40
- B. $6\frac{2}{3}$
- C. 4
- D. $1\frac{1}{9}$

44. After selling a cow for Sh. 96000, Ooko
incurred a loss of 20%. How much had he
bought it?

- A. Sh. 43 200
- B. Sh. 76 800
- C. Sh. 96 200
- D. Sh. 120 000

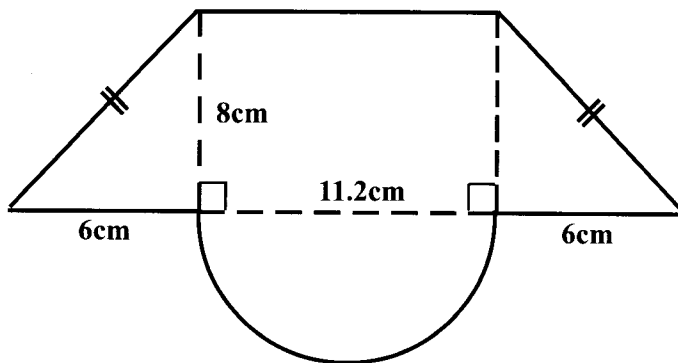
45. Arrange the following fractions in an
ascending order: $\frac{5}{6}, \frac{7}{8}, \frac{4}{5}, \frac{2}{3}$

- A. $\frac{7}{8}, \frac{5}{6}, \frac{4}{5}, \frac{2}{3}$
- B. $\frac{2}{3}, \frac{4}{5}, \frac{5}{6}, \frac{7}{8}$
- C. $\frac{2}{3}, \frac{5}{6}, \frac{7}{8}, \frac{4}{5}$
- D. $\frac{2}{3}, \frac{4}{5}, \frac{7}{8}, \frac{5}{6}$

46. An aeroplane left Nairobi at 2245 hrs on Saturday and arrived in Kisumu at 0200 hrs. How long was the journey?

- A. 2 hrs 15 min
- B. 2 hrs 45 min
- C. 3 hrs 15 min
- D. 4 hrs 45 min

47. What is the distance round the figure below? (Take $\pi = \frac{22}{7}$)



- A. 49.6cm
- B. 50.4cm
- C. 60.8cm
- D. 67.168cm

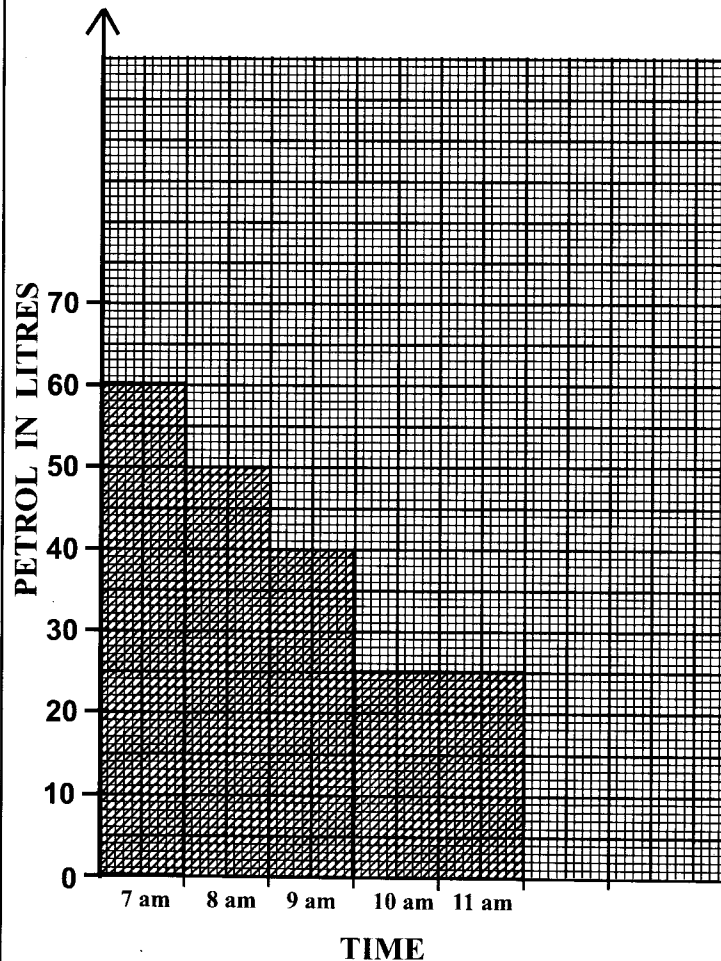
48. Bosco drank two 500ml packets of milk daily. How many litres did he drink in the month of February 2016?

- A. 14500
- B. 14000
- C. 14
- D. 14.5

49. Njeri is y years old. Her brother is 5 years older than her. What will be the sum of their ages in 5 years to come?

- A. $y + 10$
- B. $y + 15$
- C. $2y + 10$
- D. $2y + 15$

50. The graph below shows how petrol was used in a vehicle's petrol tank.



How many litres of petrol was used between 8 a.m and 10.00 a.m?

- A. 120
- B. 60
- C. 50
- D. 20