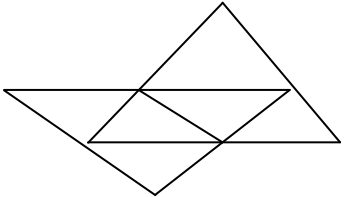
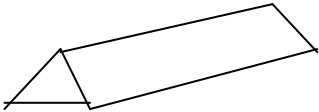
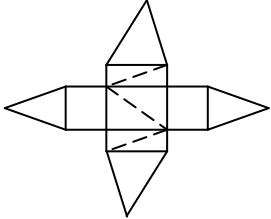
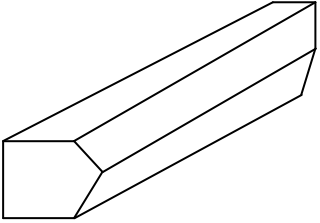
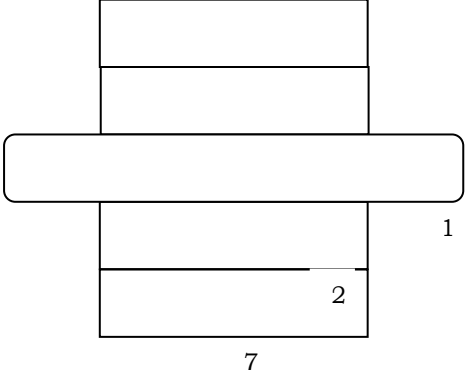
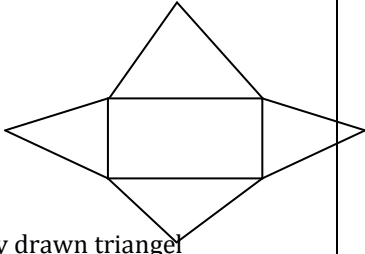
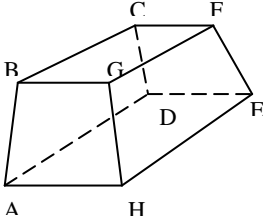


COMMON SOLIDS AND NETS MARKING SCHEME

1.	<p>Any drawn an labelled net of a net of a cuboid (condone net of a cube $\sqrt{\text{path}}$ drawn all$\sqrt{\text{directions}}$ (condone a net of cube award first B1 . diffe, net 12mm 1997Q10</p>	<p>B1 B1 B1 3 marks</p>	
2.	<div style="text-align: center;">  </div> <p>Area one = $\frac{1}{2} \times 5 \times 5 \sin 60^\circ$ Area of 6 = $6 \times \frac{1}{2} \times 5 \times 5 \times 0.8660$ Or $\frac{1}{2} \times 5 \times 4.33 \times 6 \times \frac{1}{2} \times 5 \times 5 \times 3 \times 6$ = 64.95 or $\frac{\sqrt{75}}{2}$ 1999Q8</p>	<p>M1 A1 3 marks</p>	
3.	<p>a).</p> <div style="text-align: center;">  </div> <p>b) Four (4) planes of symmetry. 2001Q5P2</p>	<p>B2 B1 3 marks</p>	
4.	<div style="text-align: center;">  </div> <p style="text-align: right;">2002Q6</p>	<p>B1 B1 2 marks</p>	
5.	<div style="text-align: center;">  </div> <p style="text-align: right;">2004Q11</p>		
	6.	<div style="text-align: center;">  </div> <p style="text-align: right;">2005Q15</p>	<p>B1 M1 2 1 B1 M1 A1</p>
	7.	<p>a).</p> <div style="text-align: center;">  </div> <p>B₁ by drawn triangle B₁ net B₁ 3.7 b). 3.7 + 0.1 cm 2006Q13</p>	
	8.	<p>CD parallel and equal is AB GH parallel and equal to FE Completion of sketch with hidden edges dotted</p> <div style="text-align: center;">  </div> <p style="text-align: right;">2008Q5</p>	<p>B1 B1 B1 3 marks</p>

