

10 Figure 5 shows an isometric view of a machined block.

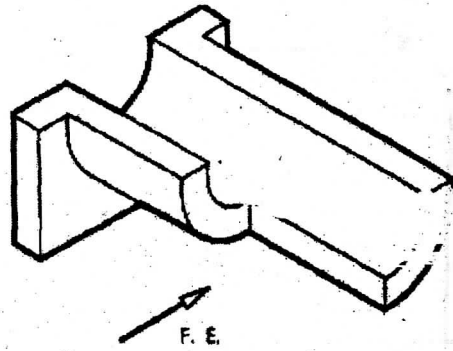


Figure 5



(6 marks)

Sketch the orthographic views of the block in first angle orthographic projection.

**SECTION B (30 marks)**

11 Figure 6 shows components of a guide pulley and bearing. Assemble the components with the pulley on the right hand side and draw FULL SIZE in third angle projection:

- (a) the front elevation;
- (b) sectional end elevation along the cutting plane C-C.

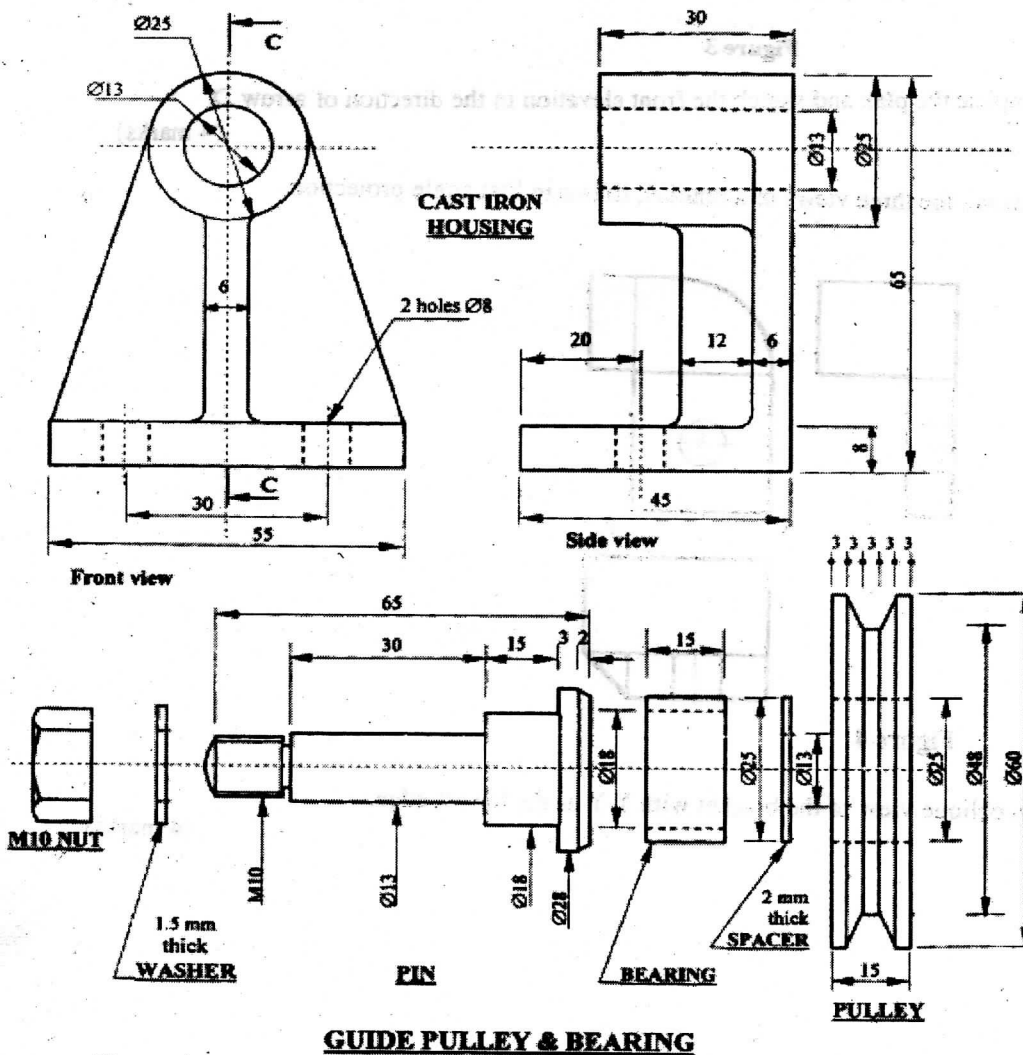


Figure 6

**GUIDE PULLEY & BEARING**