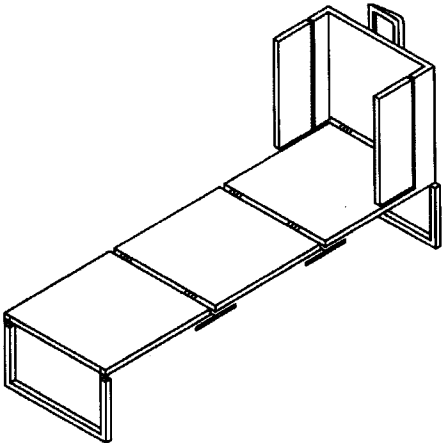
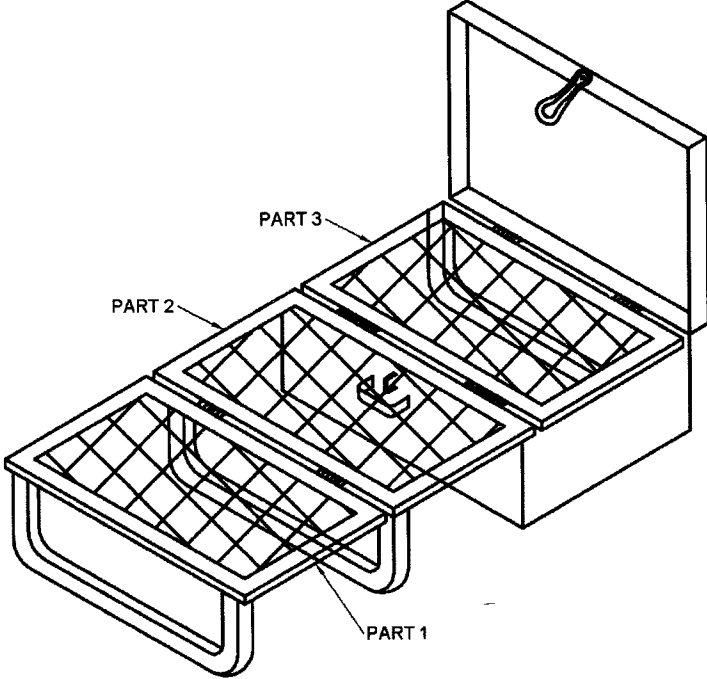


5.9.2 Drawing and Design Paper 2 (449/2)

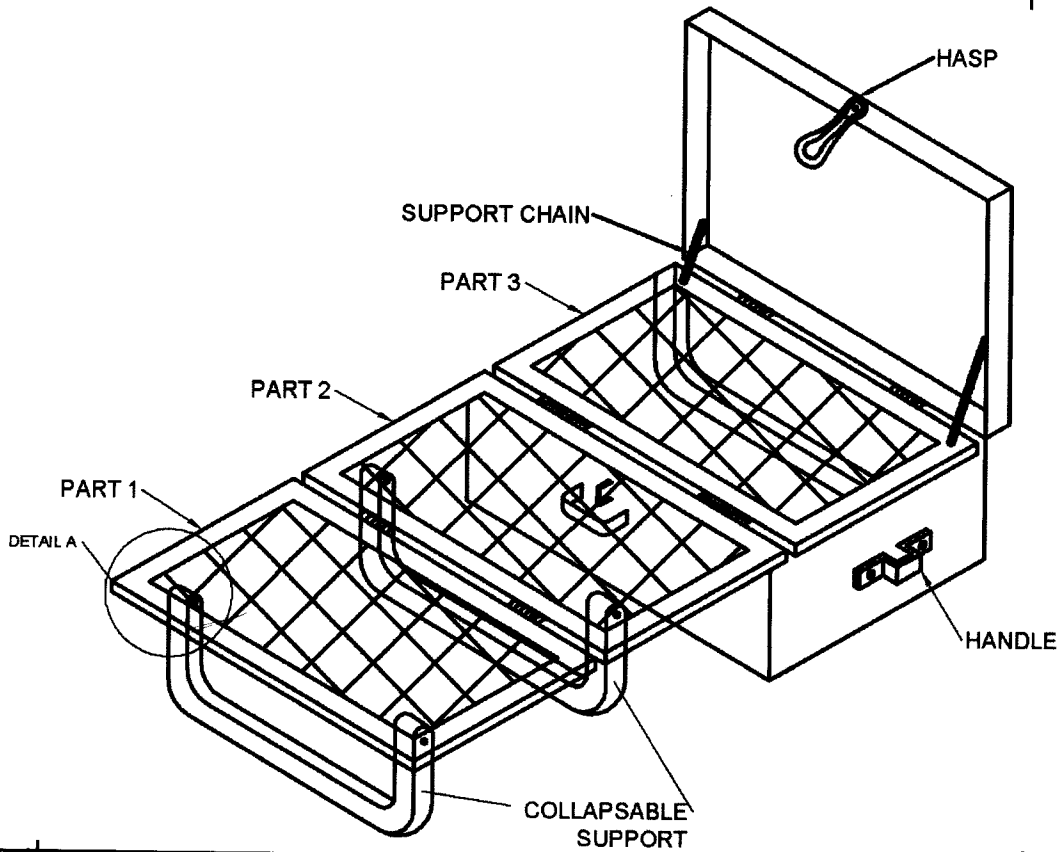
<p>A.</p>	<p>ITEM (BED) - 1 COLLAPSABLE - 1 FUNCTIONAL - 1 <u>3 marks</u></p> 	<p>(3 marks)</p>
<p>A.</p>	 <p>ITEM (BED) - 1 COLLAPSABLE - 1 FUNCTIONAL - 1 <u>3 marks</u></p>	<p>(3 marks)</p>

Downloaded From: <https://atikaschool.org>

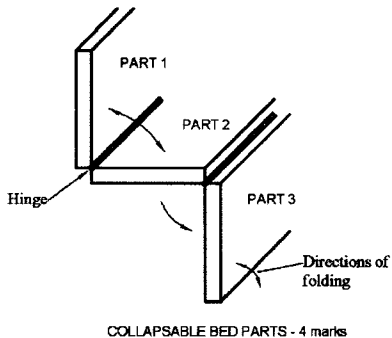
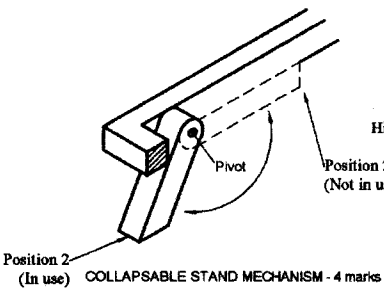
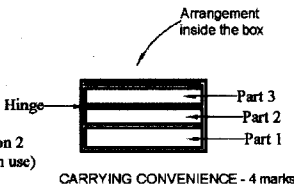
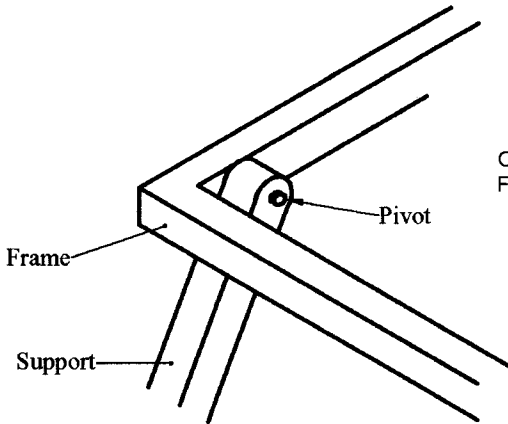
- B.**
- PICTORIAL - 2
 - LABELLING - 2
 - PROPORTIONALITY - 2
 - COLLAPSABLE - 2
 - STABILITY - 2
 - PORTABILITY - 2

12 marks

(12 marks)



Downloaded From: <https://atikaschool.org>

<p>C.</p>	<p>(i) Working mechanism for consideration 1</p>  <p>COLLAPSABLE BED PARTS - 4 marks</p>  <p>COLLAPSABLE STAND MECHANISM - 4 marks</p>  <p>CARRYING CONVENIENCE - 4 marks</p>	<p>(12 marks)</p>
	<p>(ii) Working mechanism for consideration 3</p> <p>DETAIL A</p>  <p>CONSIDERATION 3 FUNCTIONALITY/STABILITY - 4 marks</p>	<p>(4 marks)</p>
<p>D.</p>	<p>Materials used in the design</p> <ul style="list-style-type: none"> - Mild steel – frame and support - Aluminium – frame and support - Sheet metal – case <p>Accept any other appropriate material</p> <p style="text-align: right;"> <input type="checkbox"/> Naming – 2 x 1 = 2 <input type="checkbox"/> Use – 2 x 1 = 2 4 marks </p>	<p>(4 marks)</p>
<p>E.</p>	<p>Joining methods</p> <ul style="list-style-type: none"> - Hinges - Bolts and nuts - Riveting - Welding <p>Accept any other correct method.</p> <p style="text-align: right;">2 methods x 1 =</p>	<p>(2 marks)</p>