

GATITU SECONDARY SCHOOL, P.O. BOX 327 – 01030, GATUNDU.
FORM 3 AGRICULTURE PP1. END OF TERM 3 EXAMINATION. 2014.

NAME: _____ CLASS: _____ ADM: _____

SECTION A (30MKS) Answer all questions in this section in the spaces provided.

1. Name five human factors that affect agriculture.

(5mks)

- i)
- ii)
- iii)
- iv)
- v)

2. Name three aspects of rainfall important to a farmer.

(3mks)

- i)
- ii)
- iii)

3. State three disadvantages of a hard pan.

(3mks)

- i)
- ii)
- iii)

4. Name three types of soil structures.

(3mks)

- i)
- ii)
- iii)

5. Outline three effects of liming soil.

(3mks)

- i)
- ii)
- iii)

6. Give three factors that determine depth of ploughing during primary cultivation.

(3mks)

- i)
- ii)
- iii)

7. Give three farming practices that can achieve minimum tillage. (3mks)

- i)
- ii)
- iii)

8. Name three types of pumps used on the farm. (3mks)

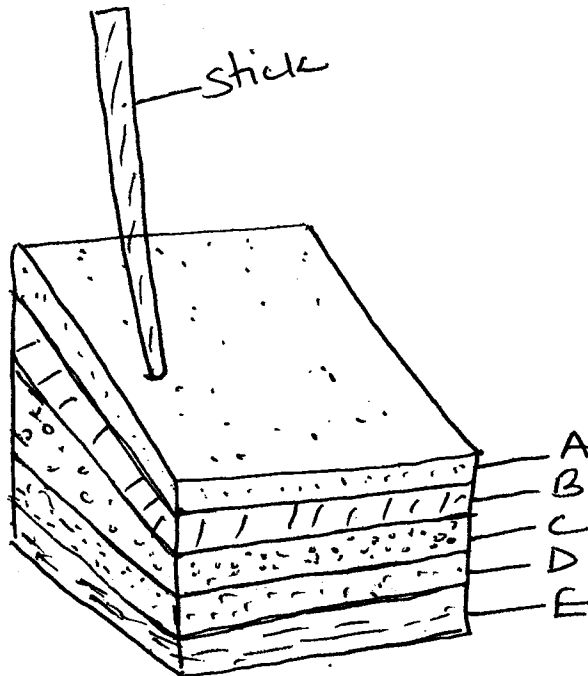
- io
- ii)
- iii)

9) State four reasons for draining land. (4mks)

- i)
- ii)
- iii)
- iv)

SECTION B (20MKS) Answer all questions in this section in the spaces provided.

10. Below is a diagram of a compost pit. Study it and answer the questions that follow



a) Name the components labeled A to E

(5mks)

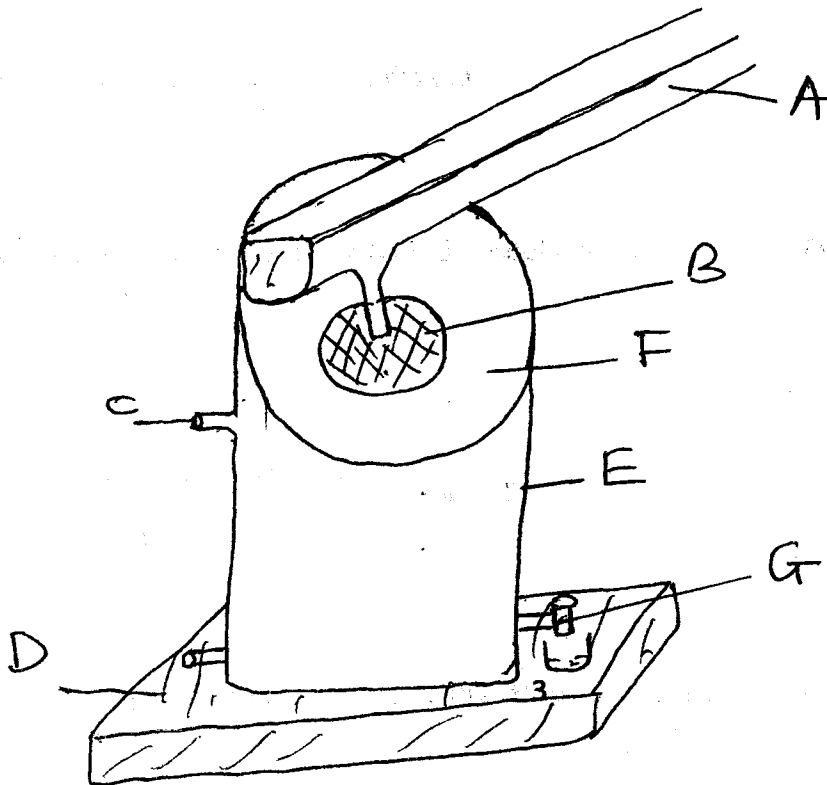
- A
- B
- C
- D
- E

b) What is the use of the stick in the diagram.

(1mk)

11. Calculate the amount of K_2O contained in 600kg of compound fertilizer 30:20:10:
(3mks)

12. Below is a diagram water supply structure. Study it and answer the questions that follow:-



a) Identify the type of water harvesting illustrated above.

(1mk

b) Name parts A – F

(7mks

A

B

C

D

E

F

13. Name the three basic economic concepts.

(3mks

i)

ii)

iii)

SECTION C (40 MKS) Answer the two questions in the spaces provided.

14a) Outline 10 harmful effects of weeds.

(10mks

b) Outline 10 uses of farm records.

(10mks

15a) Describe 8 methods of harvesting water.

(8mks

b) Outline 8 effects of pests on crops.

(8mks

c) **State four methods of controlling weeds.**

(4mks

i)

ii)

iii)

iv)

XX