

LARI SUB-COUNTY
END OF TERM TWO 2019 EXAMINATION
FORM FOUR
AGRICULTURE PAPER 2

Name:.....Index no.....
 School:.....Candidate's signDate:.....

443/2

AGRICULTURE

PAPER 2

TIME: 2 HOURS

INSTRUCTIONS TO CANDIDATES:

- Write your *name* and *index number* in the spaces provided.
- This paper consists of three section *A,B* and *C*
- Answer *all* the questions in section *A* and *B*
- Answer any *two* questions in section *C*.
- Answers should be written in the spaces provided in this booklet.

For Examiner's Use Only:

SECTION	QUESTION	MAXIMUM SCORE	CANDIDATE'S SCORE
A	1-19	30	
B	20-24	20	
C	25-27	20	
		20	
	TOTAL	90	

SECTION A (30 mrks)

Answer all questions in this section in the spaces provided.

1. Name **two** dairy goat breeds reared in Kenya. (1 Mark)
.....
.....
.....
2. Give **two** reasons why Jersey breed of cattle are better suited to arid areas than Friesians cattle. (1 Mrk)
.....
.....
.....
3. State **two** maintenance practices of milking equipment. (1 Mark)
.....
.....
4. Name **four** components of power transmission system of a tractor. (2 Marks)
.....
.....
.....
.....
5. State **four** advantages of treating timber before construction. (2 Marks)
.....
.....
.....
.....
6. Give **three** ways of stimulating milk let down in a dairy cow. (1 ½ Marks)
.....
.....
.....
.....

7. List **four** functions of calcium in dairy cows. (2 Marks)

.....
.....
.....
.....

8. Name **two** practices aimed at keeping birds busy in a deep litter system (1 Mark)

.....
.....
.....

9. Give **four** symptoms of mastitis visible on the black plate in a strip cup. (2 Mks)

.....
.....
.....

10. State any **four** signs of parturition in a cow. (2 Marks)

.....
.....
.....

11. Name **two** points of attachment of the tractor drawn implements. (1 Mark)

.....
.....

12. Outline **four** importance of the lubrication system in a tractor. (2 Marks)

.....
.....
.....

13. State **two** methods of stocking a beehive. (1 Mark)

.....
.....

14. State **four** structural requirements of a rabbit hutch. (2 Marks)

.....
.....
.....
.....

15. State **four** signs of stress in a flock of chicken. (2 Marks)

.....
.....
.....
.....

16. State **four** major characteristics of succulent roughages. (2 Marks)

.....
.....
.....
.....

17. Name the farm tool and equipment used for the practices mentioned below. (2 Marks)

i) Deworming livestock orally using tablets.

.....
.....

ii) Cutting off wolf - teeth in piglets.

.....
.....

iii) Weighing farm produce and inputs.

.....
.....

iv) Measuring distances and lengths.

.....
.....

18. Name **two** diseases transmitted by the brown ear tick. (1 Mark)

.....
.....

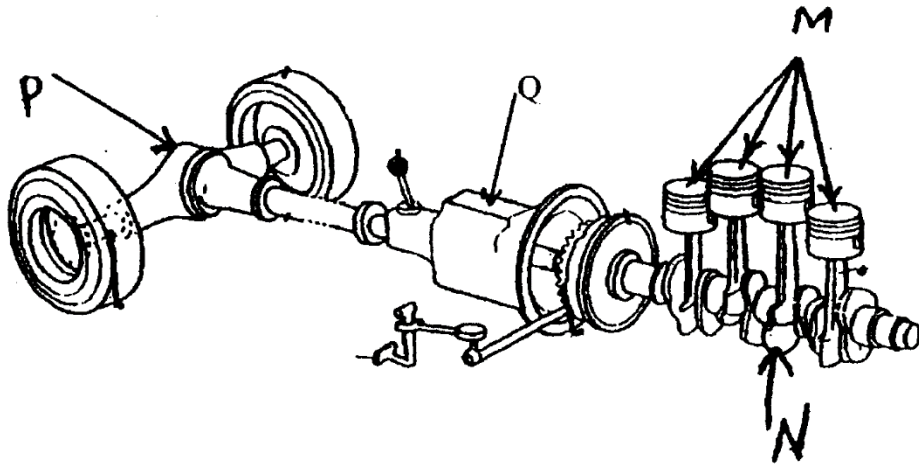
19. List down **three** roofing materials commonly used by farmers. (1 ½ Mark)

.....
.....
.....

SECTION B (20 MARKS)

Answer all questions in this section

20. Study the illustration of power transmission of a tractor below.



a) Identify and name the parts labeled. (1 ½ mks)

M.....

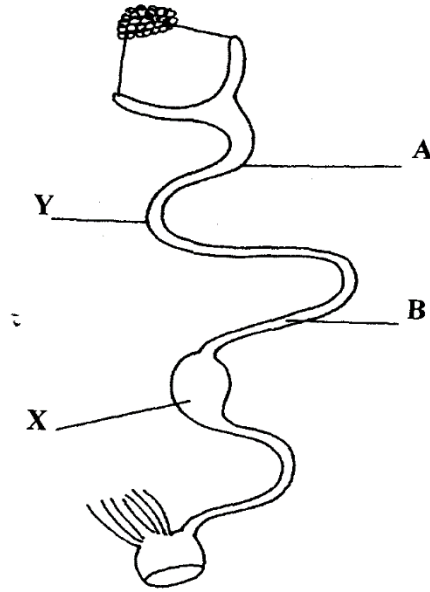
N.....

P.....

b) State **Three** functions of part Q. (3mks)

.....
.....
.....

21. Below is a diagram representing the reproductive system in poultry. Study it and answer the questions.



a) Name the parts labeled A, X and Y (1 ½ mks)

A.....
 X.....
 Y.....

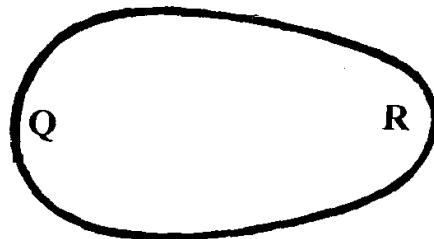
b) Name **Two** substances added to the egg at section labeled Y. (2mks)

.....

c) How long does the egg stay at section labeled X. (½mk)

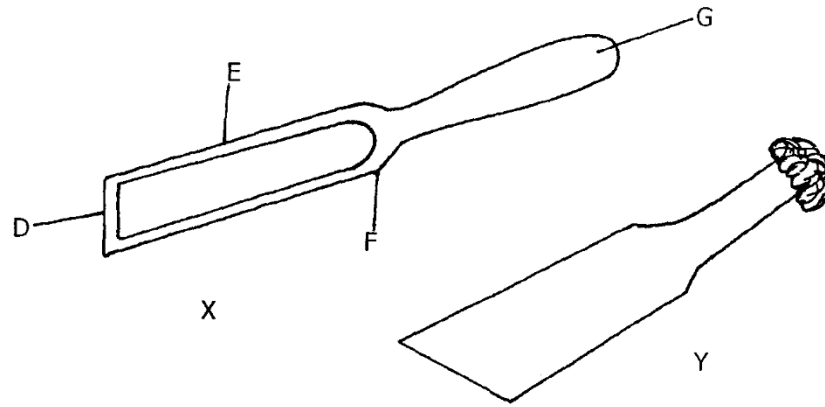
.....

d) Below is a diagram of an egg. Which part of the egg represented by letters Q and R would come out first during the laying process? (½mk)



.....

22. Below is an illustration of workshop tools, study them carefully and answer the questions that follow.



a) Identify tool X and Y (½mk)

X.....

Y.....

b) Name the parts labeled D, E, F and G (2mks)

D.....

E.....

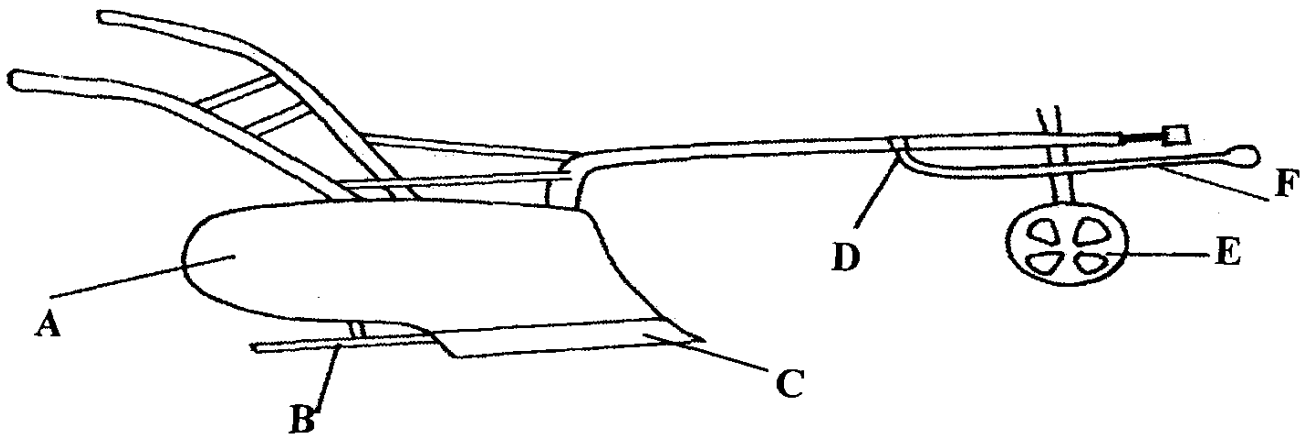
F.....

G.....

c) Name the tool used for sharpening tool X. (½mk)

.....

23. Study the diagram below of an ox-plough and use it to answer the questions that follow.



a) Name the parts labelled B, D and F (1 ½ mks)

B.....

D.....

F.....

b) State the functions of the parts labeled A, C and E (1 ½ mks)

A.....

C.....

E.....

c) State **Four** advantages of using the Ox-plough over the tractor drawn mouldboard plough (2mks)

.....

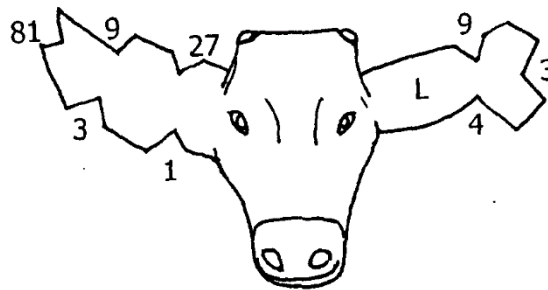
.....

.....

.....

.....

24. Study the diagram below carefully and answer the questions that follow. The number on the right ear represents litter number while the left ear number represents the individual number.



i) Name the livestock routine practice shown above. (½mk)

.....

ii) State **Two** reasons why farmers carry out the livestock routine practice shown in the diagram above. (2mks)

.....

.....

.....

SECTION C (40 mrks)

Answer any two questions in this section

25. Describe East coast fever disease under the following sub-headings
- (i) Vector that transmits it (1mk)
 - (ii) Symptoms of attack (4mks)
 - (iii) Non-chemical control measures of the vector (4mks)
 - (b) Describe practices that enhance successful breeding in ewes (6mks)
 - (c) Explain the ideal features of a good grain store (5mks)
26. a) Describe the benefit of using farm mechanization in modern farming. (9mks)
- b) Explain why exotic beef breeds of cattle are less suited to semi arid areas than indigenous beef cattle. (5mks)
- c) Outline six limitation of live fence on the farm. (6mks)
- 27 .a)Describe the process of digestion in the following sections in the alimentary canal of a none ruminant.
- i. Mouth (1 mark)
 - ii. Stomach (3 marks)
 - iii. Small intestine (5marks)
 - v. Caecum (1 mark)
- b)i. Explain five functions of work bees. (5 marks)
- ii. Describe honey harvesting procedure (5 marks)