

441/2

Powered by: www.atikaschool.com

HOME SCIENCE (CLOTHING CONSTRUCTION)

Paper 2

(PRACTICAL)

Oct./Nov. 2015

2½ hours



THE KENYA NATIONAL EXAMINATIONS COUNCIL

Kenya Certificate of Secondary Education

HOME SCIENCE (CLOTHING CONSTRUCTION)

Paper 2

(PRACTICAL)

2½ hours



05400201

**Instructions to candidates**

- (a) *This paper consists of 4 printed pages.*
- (b) *Candidates should check the question paper to ascertain that all the pages are printed as indicated and that no questions are missing.*
- (c) *Candidates **MUST** use machine stitches appropriately in the construction of the garment. Hand stitches used **INSTEAD** of machine stitches will not be marked.*
- (d) *Hand stitches will only be allowed for the making of hemming and tacking stitches.*



915046

© 2015 The Kenya National Examinations Council



Turn over

A pattern of a pair of shorts is provided. You are advised to study the sketches, instructions and the layout carefully before you begin the test.

### MATERIALS PROVIDED

1. Pattern Pieces
  - A. Short front
  - B. Short back
  - C. In-seam pocket
  - D. Waistband
2. Plain lightweight cotton fabric 60 cm long and 90 cm wide.
3. Sewing thread to match.
4. One large envelope.

### THE TEST

Using the materials provided, lay, cut out and make **ONE LEG** of the pair of shorts to show the following processes:

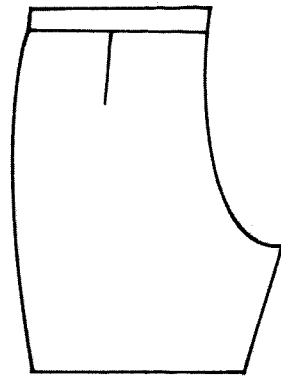
- (a) Cutting out. (9 marks)
- (b) Making of the back dart. (8 marks)
- (c) Attaching the in-seam pocket. (16 marks)
- (d) Working of the side seam using an open seam. (Above and below the pocket.) (9½ marks)
- (e) Working of the inner leg seam using a double stitched seam. (8 marks)
- (f) Making the knife pleats on the short front. (9 marks)
- (g) Preparing and attaching the waistband. (**Do not interface**) (11 marks)

- (h) Completing half of the waistband using hemming stitches. (3 marks)
- (i) Managing the hem of the short by holding it in place using tacking stitches. (10 marks)
- (j) Overall presentation. (6½ marks)

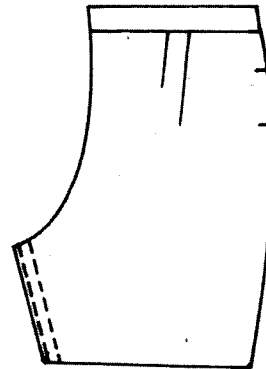
At the end of the examination, firmly sew onto your work, on a single fabric, a label bearing your name and index number. Remove the needle, pins and loose threads from your work. Fold your work neatly and place it in the envelope provided.

**Do not put scraps of fabric in the envelope.**

SHORT VIEW

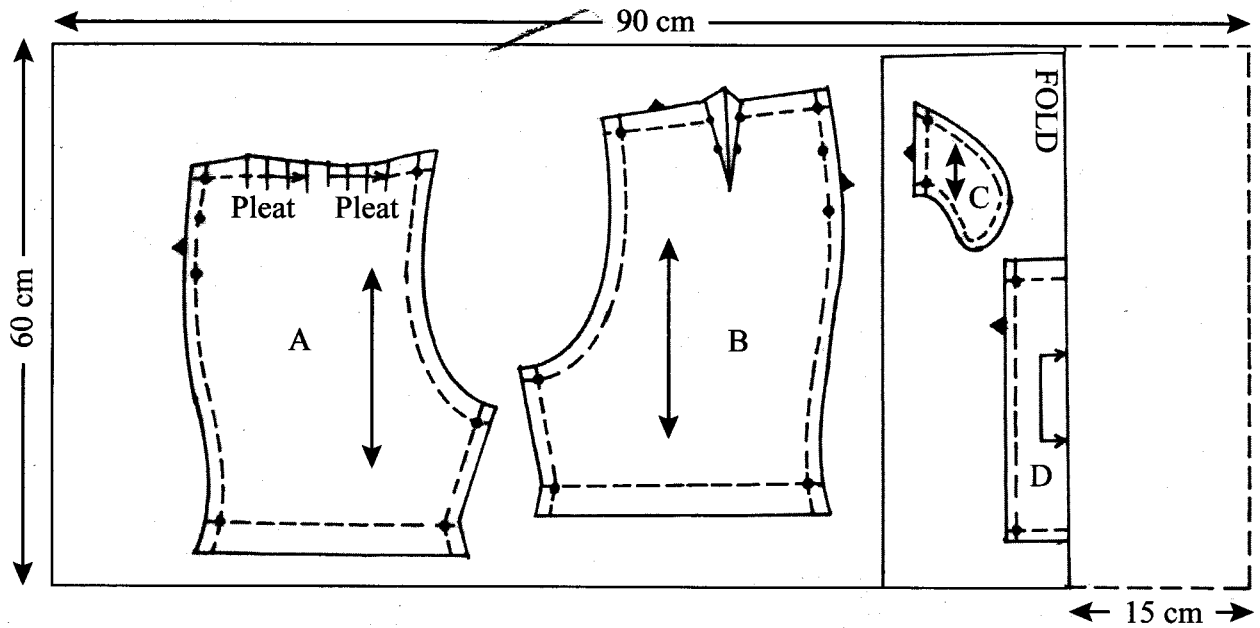


BACK



FRONT

LAYOUT (not drawn to scale)



**THIS IS THE LAST PRINTED PAGE**