

FOCUS A365

Another Manyamfranchise.Com Evaluation Test

ATIKASCHOOL.COM

Form 1 | Term 2 | 121 A - Mathematics | 18-Sep-16 | Weekly Ambush

ADM..... NAME CLASS TIME: 1 hr - 12th Test

INSTRUCTIONS:

1. Write your **name, class and ADM number** in the spaces provided above.
2. Answer all the questions provided in this **question paper**
3. All workings must be **clearly shown**
4. Any acts of **cheating** will render your examinations nullified
5. Sign and write the date of the examination in the spaces provided below
6. This exam has **four** printed pages. Please confirm.

Invigilator's Name	Date Issued	Date Returned	Date Revised	Student's signature
TEACHER'S COMMENT				

For examiner's use only

Question/Section/Page	1	2	3	4	Total
Max. Score					
Candidate's Score					

Questions

1. Three similar steel bars of length 200cm, 300cm and 360cm are cut into equal pieces. Find the largest possible area of a square which can be made from any of the three pieces **(3 mks)**

2. Ole Mashamba walked **four** floors down from the **tenth** floor and then took a lift to the **eighteenth** floor. How many floors did he go through while in the lift? **(3 mks)**

3.

a. It takes $1\frac{1}{2}$ days to make a toy train. How many such toys can be made in two weeks?
(2 mks)

b. An integer P is two thirds of another and their difference is 10. Find the two integers.
(3 mks)

c. An alloy is to be made by combining copper and aluminium in the ratio 3:8. If there is 39Kg of copper, how much aluminium is required to make the alloy? **(3 mks)**

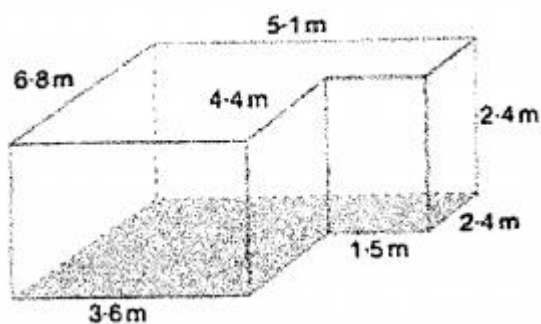
d. John is twice as old as his brother Kogo, and their sister Jane is 7 years younger than Kogo. Write down an expression for the sum of their ages **(3 mks)**

4.

- a. Two rings of diameter 9 CM and 12 CM are cut and joined to make one large ring. Find the radius of this ring **(3 mks)**

- b. A bicycle wheel turns 15 times to cover a distance of 66M. find the radius of the wheel use $\pi = \frac{22}{7}$ **(2 mks)**

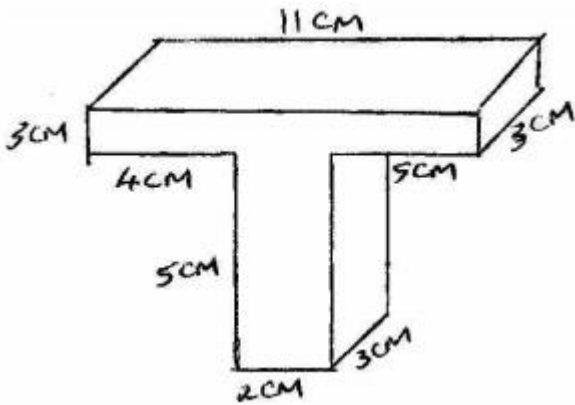
5. The diagram below represents a lounge room in a house. The walls and the ceiling are to be printed



- a. Find the area of the walls of the lounge **(3 mks)**

- b. The area of the ceiling (2 mks)

6. Find the surface area of the figure below (4 mks)



7. A school tank has a radius of 2.1 M and a height of 450 cm.
a. How many litres of water does it carry when full? (3 mks)

- b. If the school uses 5000 litres of water a day approximately how many days will the tank last? (3 mks)